

trunk passives



product introduction

Introduction

There is still a very large installed base of subscribers connecting to coaxial lines and the increasing demand for broadband services and triple play results in large requirements for quality coaxial trunk passives. For many years DKTCOMEGA has been one of the top suppliers of advanced trunk passives. This position has been obtained through careful electrical and mechanical design, where innovation and modern R&D have resulted in the development of a complete portfolio, which cleverly combines effective installation with superb specifications and high flexibility.

Overview

The group consists of two different designs. Firstly, the DKTCOMEGA Power Splitters (PS line). This is a compact and flexible series of splitters and taps with specifications that meet the highest industry requirements. Their compact housing and a selection of accessories provides an installer-friendly product.

Secondly, the CONnector FREE (CONFREE) line. These are designed to meet demands for a cost-effective coaxial solution in modern trunk and distribution networks. The CONFREE design allows optional integrated cable shells as an alternative to connectors, but with the same high specifications. This significantly reduces network costs. The concept is especially unique, where networks with older shell systems are upgraded, as it provides very high efficiency and low CAPEX.



Advantages

- High Screening, Class A
- AC ports selectable - removable fuses
- Efficient installation and maintenance with special design and PIM functionality decreasing OPEX
- 10A Power passing

powersplitter - ps 3-10a

Product information

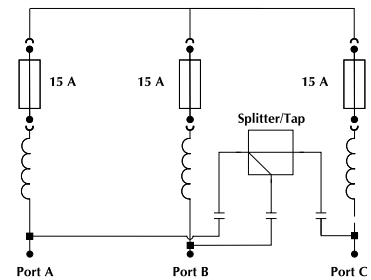
With the DKTCOMEGA PS3-10A we have focused on designing the most compact and flexible 2-way splitter/directional coupler on the market, which suits applications in Europe using street cabinets and underground cables. The compact size makes installation in even small street cabinets possible.

The electrical performance is according to CENELEC's highest standards just as the other DKTCOMEGA products.

PS3-10A exists in two versions - a flexible and a fixed - to give the most flexible choice for the specific network set-up and to save inventory costs. Additionally, the PS3-10A platform can be used as power inserter through insertion of bridge plug-in modules.



Fixed platform



Frequency range: 5-1000 MHz
 Return loss: CENELEC Category B*
 Power Pass: Max 10A
 Connectors: PG11 thread - optional 5/8
 Screening: Class A - min. 85/75 dB
 Dimensions: 150 x 90 x 55mm
 Weight: 0.5 Kg

Fixed versions

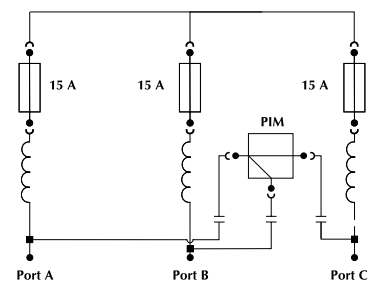
PS3-10A platform	Port A	Port B	Port C	Item no.
PS 3-10A - 02	In	3.9 ± 0.5 dB	3.9 ± 0.5 dB	40490
PS 3-10A - 1-7	In	7.3 ± 1.0 dB	2.6 ± 0.5 dB	40492
PS 3-10A - 1-11	In	10.5 ± 1.0 dB	1.8 ± 0.5 dB	40493
PS 3-10A - 1-16	In	15.5 ± 1.0 dB	1.0 ± 0.5 dB	40491

Flexible version - Item no 40500

Type	Plug-in modules	Port A	Port B	Port C	Item no	
Bridge	PIM 0A	In	0.5	AC in	40510	
	PIM 0B	In	AC in	0.5	40511	
	PIM 0C	AC in	In	0.5	40512	
Splitter	PIM 4	In	4.0	4.0	40520	
	PIM 1-7	In	7.0	2.5	40521	
Tap	PIM 1-10	In	10.0	1.7	40522	
	PIM 1-13	In	13.0	1.2	40523	
	PIM 1-16	In	16.0	1.0	40524	
	PIM 1-19	In	19.0	1.0	40525	
	PIM 1-22	In	22.0	1.0	40527	
	PIM 1-26	In	26.0	1.0	40529	
	Stop-filter	PIM RPS 5-15	-	In	5-15 MHz > 45 dB 25-862 MHz < 1.2 dB	42008
		PIM RPS 5-30	-	In	5-30 MHz > 45 dB 47-862 MHz < 1.2 dB	42007
		PIM RPS 5-65	-	In	5-65 MHz > 45 dB 87-862 MHz < 1.2 dB	42005
	Di-plexer	PIM 5-30/47-1000	In	5-30 MHz < 1.3 dB 47-862 MHz > 30 dB	5-30 MHz > 40 dB 47-862 MHz < 1.2 dB	42009

Note: Insertion loss ± 0.3 dB
 Tap loss ± 1.0 dB

Flexible platform - with PIM modules



Frequency range: 5-1000 MHz
 Return loss: CENELEC Category B*
 Power Pass: Max 10A
 Connectors: PG11 thread - optional 5/8
 Screening: Class A - min. 85/75 dB
 Dimensions: 150 x 90 x 55mm
 Weight: 0.5 kg

* According to CENELEC 50083-4:
 B: 5-40 MHz ≥ 18 dB, 40-862 MHz min.
 18 dB ÷ 1.5/oct.



Advantages

- Compact splitter/tap system
- High Screening, Class A
- AC ports selectable - removable fuses
- PowerCom, DiSEqC compatible
- Grounding screw and 10A power passing
- Decreased OPEX

powersplitter - ps 5 - 10a

Product information

With the DKTCOMEGA PS5-10A we have expanded the line of compact power passing splitters and taps to incorporate two 3-way and a 4-way splitter as well as a 2 way tap with fixed platform with possible AC feed on every platform.

The compact size of the housing makes installation in even small street cabinets possible avoiding exchange of very expensive components like installation of new street cabinets.

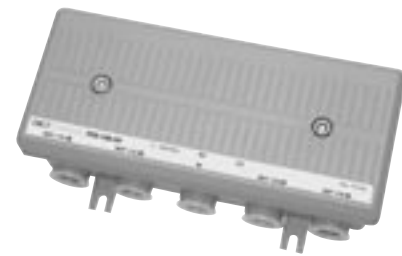
The extended distance between inputs makes use of heavy coaxial cables possible.

The electrical performance is according to CENELEC's highest standards just as the other DKTCOMEGA products.

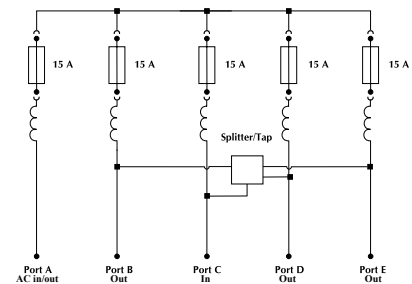
Additionally, all the PS5-10A platforms can be used as power inserter together with the PG11M-AC (see page 25).

Frequency range: 5-1000 MHz
 Return loss: CENELEC Category B*
 Power Pass: Max 10A
 Connectors: PG11 thread - optional 5/8
 Screening: Class A - min. 85/75 dB
 Dimensions: 209 x 96 x 56mm
 Weight: 0.7 Kg

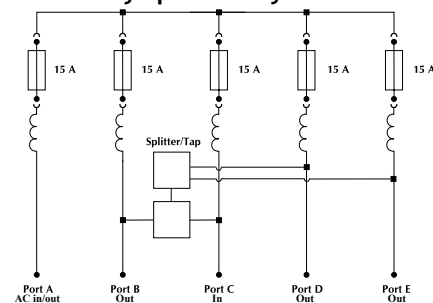
* According to CENELEC 50083-4:
 B: 5-40 MHz ≥ 18 dB, 40-862 MHz min.
 18 dB $\div 1.5$ /oct.



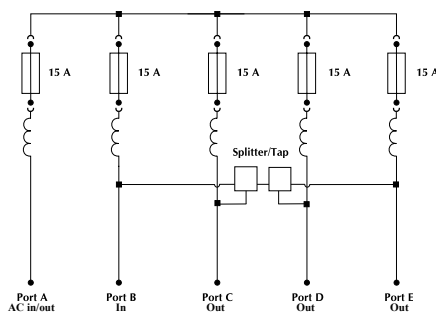
PS 5 - 10A - 03, three-way splitter



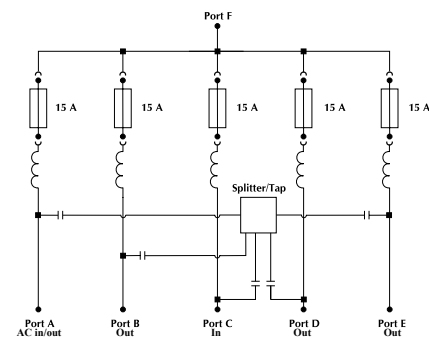
PS 5 - 10A - 03A, three-way splitter asynchronous



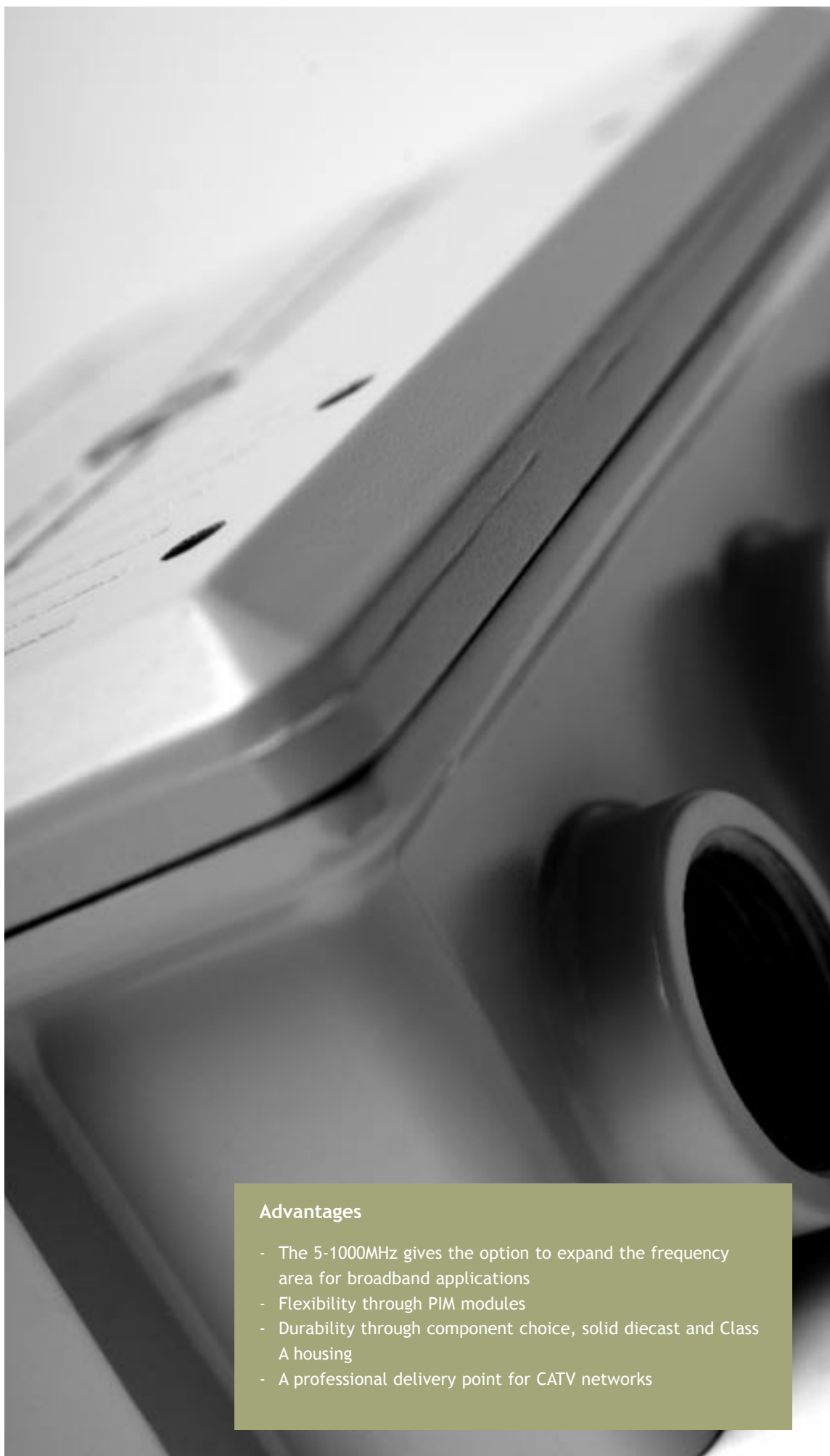
PS 5 - 10A - 2 - 12, two-way tap



PS 5 - 10A - 04, four-way splitter



Type	Port A	Port B	Port C	Port D	Port E	Port F	Item no
PS 5-10A - 03	AC	6.2 \pm 0.5 dB	IN	6.2 \pm 0.5 dB	6.2 \pm 0.5 dB	-	40503
PS 5-10A - 03A	AC	4.0 \pm 0.5 dB	IN	7.8 \pm 0.5 dB	7.8 \pm 0.5 dB	-	40504
PS 5-10A - 04	7.8 \pm 0.5 dB	7.8 \pm 0.5 dB	IN	7.8 \pm 0.5 dB	7.8 \pm 0.5 dB	AC	40505
PS 5-10A - 2-12	AC	IN	12.0 \pm 1.0 dB	12.0 \pm 1.0 dB	2.0 \pm 0.5 dB	-	40507



Advantages

- The 5-1000MHz gives the option to expand the frequency area for broadband applications
- Flexibility through PIM modules
- Durability through component choice, solid diecast and Class A housing
- A professional delivery point for CATV networks

catv delivery point - ap 20 psf

Product information

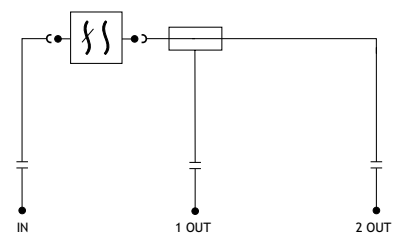
The AP20 PSF is a highly flexible delivery point between CATV and local networks. Through the many plug-in options this unit can be configured to suit most applications from ordinary test point to return path blocking of branches that are not yet upgraded for return path transmission.

This platform has optimized return loss for terminated return path applications.



AP20 PSF - Item no 50555

Plug-in modules	Port 1	Port 2	Item no
PIM 0B	20 ± 0.2	0.8 ± 0.2	40511
PIM 5-30/47-862	5-30 MHz > 65 dB 47-862 MHz < 21 ± 1 dB	5-30 MHz > 45 dB 47-862 MHz < 1.2 dB	42009
PIM 5-65/87-862	5-65 MHz > 45 dB 87-862 MHz < 1.2 dB	5-65 MHz > 45 dB 87-862 MHz < 1.2 dB	42006



Frequency range: 5-1000 MHz
Return loss: CENELEC Category B*
Power Pass: no power passing
Connectors: PG11 thread - optional 5/8
Screening: Class A - min. 85/75 dB
Dimensions: 150 x 90 x 55mm
Weight: 0.5 Kg

* According to CENELEC 50083-4:
B: 5-40 MHz ≥ 18 dB, 40-862 MHz
min. 18 dB $\div 1.5$ /oct.

DKTCOMEGA



plug-in modules (pim)

Product information

The plug-in modules concept forms the back-bone of the very flexible CONFREE and power splitter line. Multiple plug-in modules make along with many platform options an easy configuration possible - even in the field.



Attenuation PIM-modules

Type no.	Out ± 0.2 db	Through loss ± 0.3 db	Tap-to-out db	Module type	Item No.
PIM 0A	0.2	0.2	-	Bridge module	40510
PIM 0B	0.2	0.2	-	Bridge module	40511
PIM 0C	0.2	0.2	-	Bridge module	40512
PIM 4	4.1	4.1	25.0	Splitter module	40520
PIM 1-7	7.5	2.6	25.0	Tap module	40521
PIM 1-10	10.5	1.9	29.0	Tap module	40522
PIM 1-13	13.0	1.3	32.0	Tap module	40523
PIM 1-16	15.5	0.9	35.0	Tap module	40524
PIM 1-19	18.5	0.8	38.0	Tap module	40525
PIM 1-22	22	0.8	38	Tap module	40527
PIM 1-26	26	0.8	38	Tap module	40529

Return, diplex, and test modules

Type no.	Out ± 0.2 db	Through loss ± 0.3 db	Tap-to-out db	Module type	Item No.
PIM -20 dB-TP	20	1.0	38	Test point module	40540
PIM -30 dB-TP	30	1.0	41	Test point module	40541
PIM 5-30/47-1000	1.5	1.0	41	Diplex filter module	42009
PIM 5-65/87-860	1.5	1.0	41	Diplex filter module	42006
PIM RPS 5-65	-	-	5-65 MHz > 45 dB 87-862 MHz < 1.2 dB	Return path stop module	42005
PIM RPS 5-30	-	-	5-30 MHz > 45 dB 47-862 MHz < 1.2 dB	Return path stop module	42007
PIM RPS 5-15	-	-	5-15 > 25 dB 25-862 MHz < 1.2 dB	Return path stop module	42008
PIM RPA 5	-	-	5-65 MHz -5.0 dB 87-862 MHz 1.2 dB	Return path att. module	42013
PIM RPA 10	-	-	5-65 MHz -10.0 dB 87-862 MHz 1.2 dB	Return path att. module	42014
PIM RPA 15	-	-	5-65 MHz -15.0 dB 87-862 MHz 1.2 dB	Return path att. module	42015
PIM-75R	75 Ω	75 Ω	-	Terminator module	40513

Return loss: 20 dB (40-1000 MHz ±1.5dB/oct.)

- 1) 85-862 MHz, insertion loss 5-65 MHz > 45 dB
- 2) 47-862 MHz, insertion loss 5-30 MHz > 55 dB
- 3) 25-862 MHz, insertion loss 5-15 MHz > 55 dB

DKTCOMEGA

Fanoevej 6

DK-4060 Kirke Saaby

Tlf +45 4646 2626

Fax +45 4646 2625

E-mail mail@dktcomega.com

Web www.dktcomega.com

www.dktcomega.com