

DH-PFA135

Water-proof Junction Box



Features

- Aesthetic design
- Material: aluminum
- Water-proof junction box

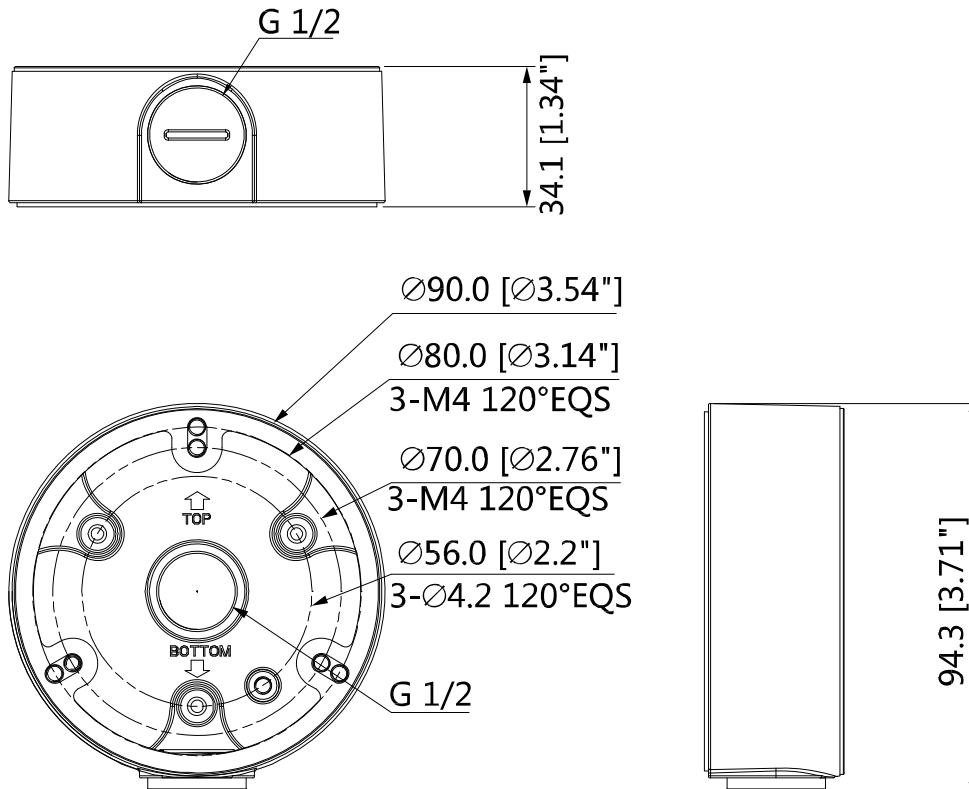
Technical Specifications

Model	DH-PFA135
General	
Material	Aluminum
Dimension	Φ90.0mmx34.1mm (Φ3.54"x1.34")
Inch Thread	M20(G1/2")
Load Bearing	1.0kg(2.2lb)
Weight	0.16kg(0.35lb)
Color	White
Operating Temperature	-40°C~+60°C(-40°F ~+140°F)
Humidity	0~90% RH
Applicable Model	Please see "Accessory Selection"

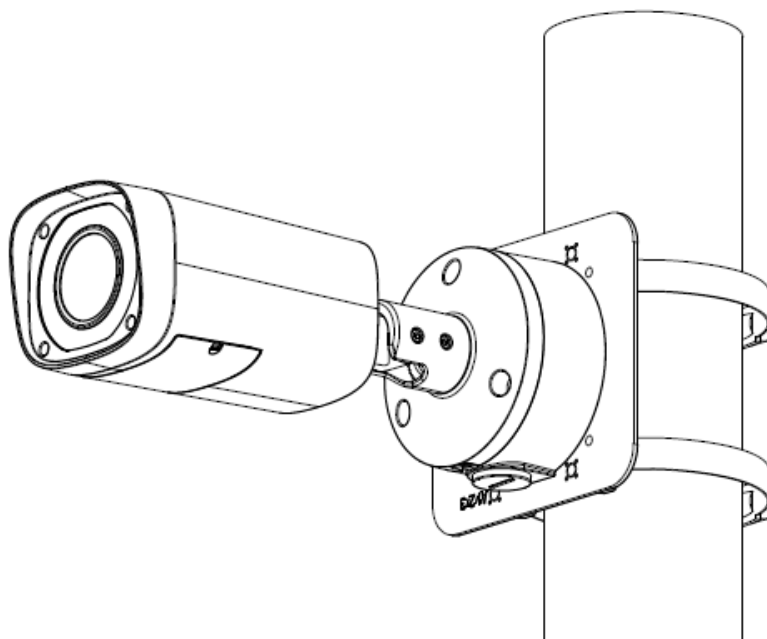
Order Information

Type	Part Number	Description
Camera Mount	DH-PFA135	Water-proof junction box
	PFA135	Water-proof junction box

Dimensions (mm/inch)



Application



Package Information

- Water-proof junction box *1
- M4x12 screw *3
- ST4x25 screw *3
- Plastic anchor *3
- Water-proof joint *1
- Wrench *1