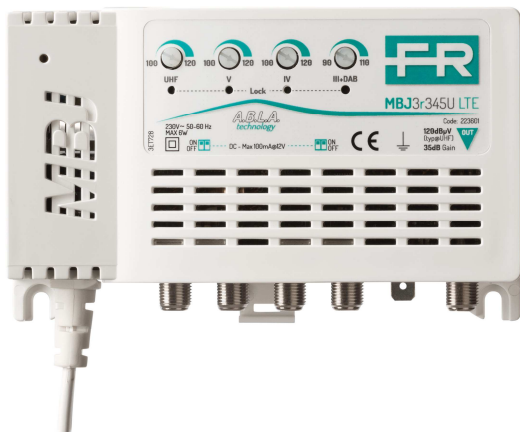
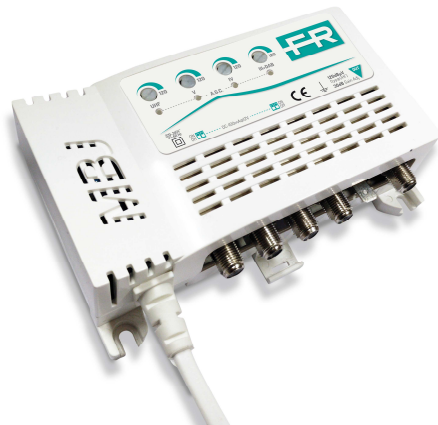


Multiband indoor TV amplifiers new range
MBJ3RFM+3UU 700

**Multiband TV
 Amplifier**



Multiband TV indoor amplifiers, completely designed and produced by FRACARRO, with **high output level** (up to **120dB μ V** in UHF band), VHF/UHF separate amplification and independent **gain adjustment** (0-20 dB) for each input and **low Noise Figure**.

T2 Technology: new UHF cut band selections switch for LTE 4G @790MHz or 5G @694MHz; **LTE 4G and 5G integrated filters** to **minimize occupied space** in wall-mounted enclosures, if compared with an external filter.

A.B.L.A. Technology (Automatic Building Level Adjustment): allows the Multiband TV amplifier to **maintain the constant RF output level**, set by dedicated trimmers, even when the RF input signal level of each input changes.

Each input is equipped with its dedicated **A.B.L.A. LED** that lets the installer to instantly identify:

- if the RF levels of each TV input are within the correct working range;
- if the dedicated A.B.L.A. circuits are maintaining a constant RF output level even for high variations in the input signal (over 25dB of dynamic range).

NOTE: if the TV **input signal is too low** or in under the minimum limits working windows of the A.B.L.A. circuits, the multiband TV amplifier works like a **fixed-gain amplifier**.

High shielding against LTE interferences and innovative **ABS protective shell non-propagating the flame (Class V0)**.

Those new Multiband Amplifiers can be easily installed in wall-mounted enclosures. It is also possible to **mount on Standard DIN Bar** (quick release system).

The MBJ EVO is equipped with high efficiency switching power supply (higher than 80%) and **protection circuit against short-circuits with automatic reset**. There are also dip-switches for supply any mast pre-amplifiers (if any).

Some models are also available on **KIT with aerials**

Main Specifications

- **T2 selector:** new UHF cut band selections switch for LTE 4G @790MHz or 5G @694MHz; **LTE 4G and 5G integrated filters** to guarantee better connections protection **against weather conditions**, if compared with and external filter.
- **A.B.L.A. Technology: FRACARRO's exclusive system** for maintain the constant RF output level, set by the dedicated trimmer, even if the RF input level of each input changes (A.B.L.A. independent circuits)
 - o **RF output level stabilization** even for high variations of the TV input signal.
 - o **A.B.L.A. dedicated LED status.**
- **Separate amplification:** the new MBJ Evo multiband amplifiers work on "separate amplification" and independent signal management coming from different aeriels.
- **High shield** against LTE interferences (**LTE Free**)
- **Protective shell: the MBJ EVO** are protected by an innovative **ABS protective shell** non-propagating the flame (**Class V0**).
- Suitable for fastening on **standard DIN bar** with quick release.
- The MBJ EVOs can be easily installed inside into the wall-mounted enclosures.
- **High performance switching power supply** (higher than 80% of efficiency) and self-resetting short circuit protection circuit.
- **Dip-switch** for enable the remote power supply on each input (100mA total).
- For the input of the power supply on each input
- Power Supply LED Status.
- **Fast-on** connector for the connection to the TV grounding system.

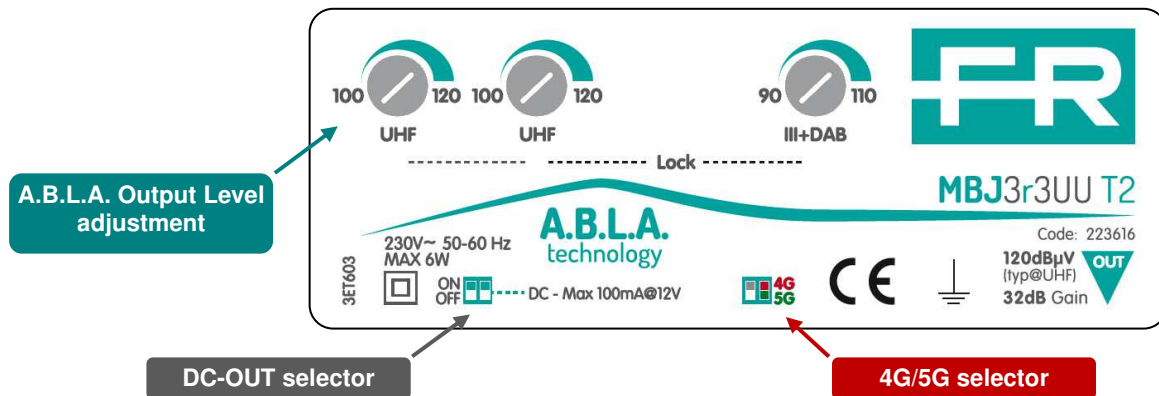
Fracarro Code	Item	N° in	Inputs type	Max gain (dB)	VHF,UHF max out level (dBuV)	Mains absorption (W)	VHF,UHF noise figure (dB)	ABLA	LTE filter	Bar code
223612	MBJ3RFM+3UU 700	3	FM+3+D, U,U	32,32	110,120	6	6,9	V	5G	8016978103577

* **Special settings models:** it is necessary to specify the last RF channel in B4 and the first channel in B5 during the order process; in standard models, B4 includes channels from E21 to E35 and B5 includes channels from E36 to E60.

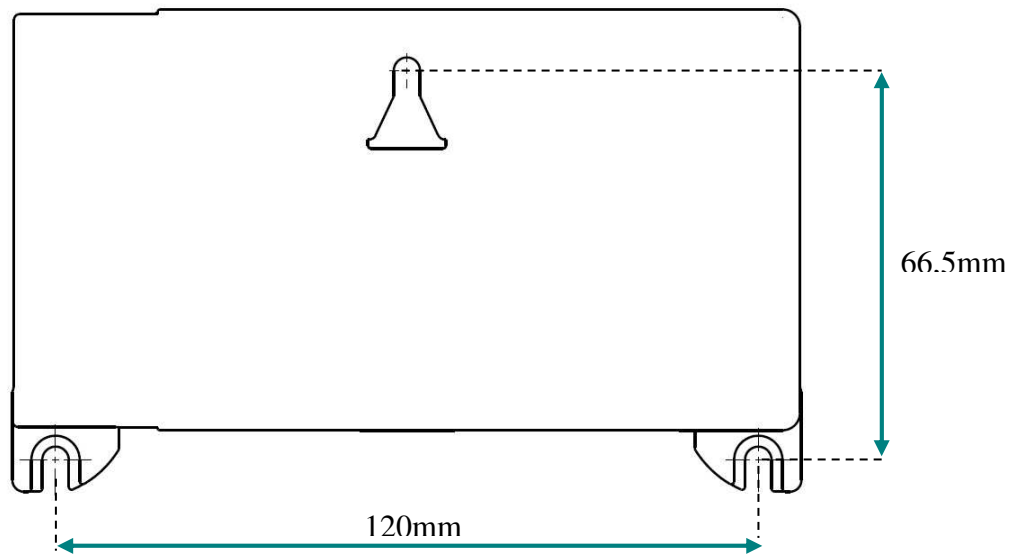
General Features

Packaging	Pcs	1
Mains	Vac/Hz	230 / 50-60
Remote Power Supply	Vdc/mA	12/100 (total)
LTE selectivity	dB	>30@862MHz >15 @ 793MHz on LTE models or with 4G switch position >15 @ 703MHz on 700 models or with 5G switch position
Connectors	Type	F female
Dimensions (L.x H.x D.)	mm	135x82x39 (item) – 152x105x42 (with package)
Weight	Kg	0,34
IP Protection		IP20 (ABS – Class V0)
Operating temperature	°C	-10 ÷ +55
Compliant		The full text of the EU declaration of conformity is available at the following internet address: http://ce.fracarro.com

Definitive specifications may change without notice.

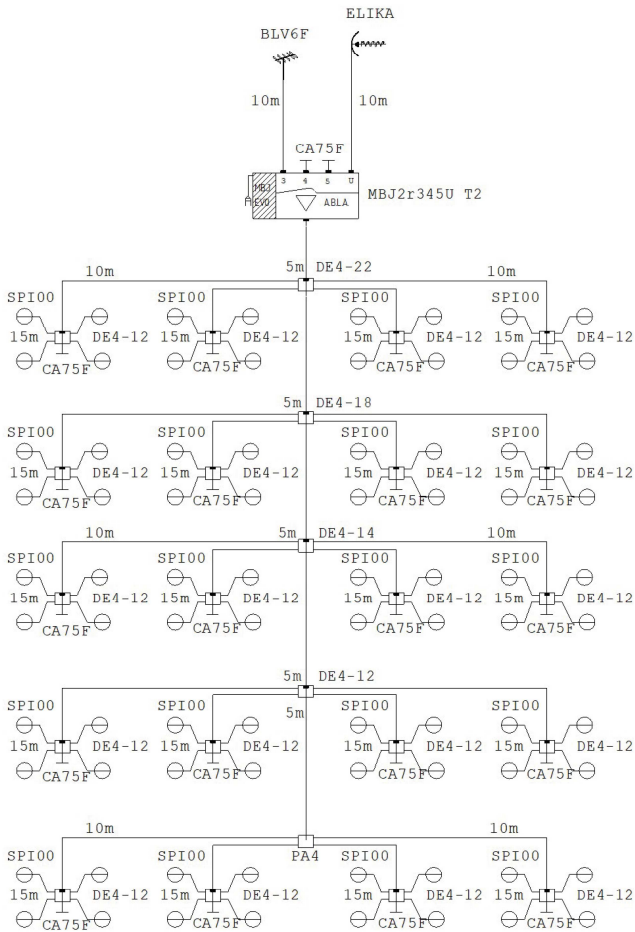


Mechanicals



MBJ EVO T2 (Examples)

Example n 1



The RF output level settings are separated and stabilized by the Automatic Building Level Adjustment (A.B.L.A. circuits).

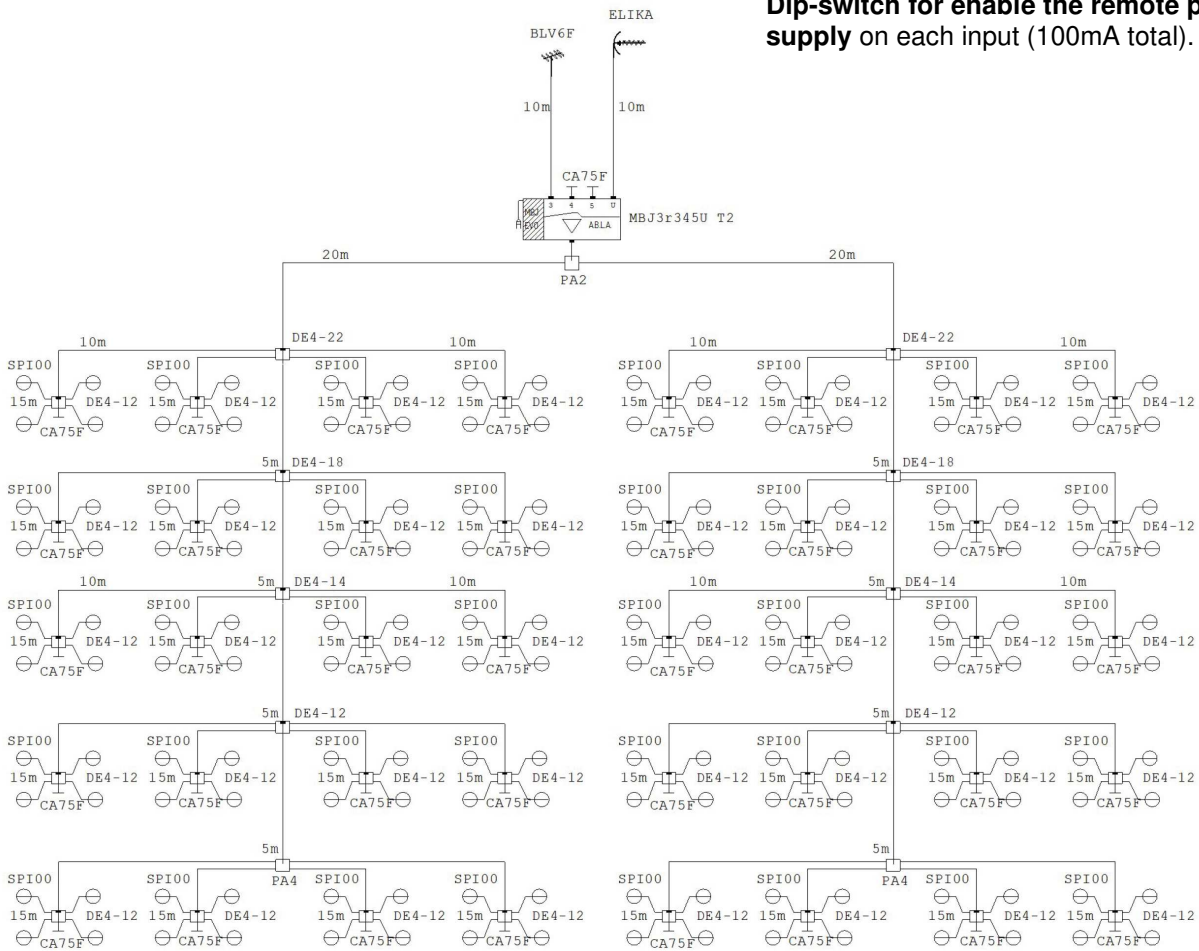
High performance switching power supplies (efficiency higher than 80%) and status LEDs.

Self-resetting short circuit protection circuit.

Example n 2

High shield against LTE interferences.

Dip-switch for enable the remote power supply on each input (100mA total).



More typical schematic installation are available for download on www.fracarro.com website.

