

Agile Channel Processor KCPN

K SERIES



Fully agile RF channel processor to process and convert terrestrial digital and analogue channels.

To move a channel from band III or UHF (174-230MHz or 470-862MHz) to anywhere in the band 118-862MHz.

Input and output parameters are set using a TPE programmer.

Due to the high selectivity, it can also be used as a filter.

AGC (automatic gain control) facility to maintain a constant output level.

Main Specifications:

- Dual conversion technology and dual SAW filter to distribute adjacent channels and avoid spurious signals in the band.
- Single product to convert a channel within 47-862MHz.
- High output level: 85dB μ V (digital channel), 92dB μ V (analogue channel),
- AGC facility to keep the output level stable regardless of the fluctuation of the input signal.
- Fully programmable via TPE programmer.
- Perfect management when conversion of either adjacent digital or strongly unequalized channels is required.
- Wide dynamic input range to guarantee good reception of programs even when signals are weak.
- Loop-through input to allow the use of the same input signal on multiple K Series modules.
- Mixing output to combine the output signal from other K Series modules with very low insertion loss (<1dB in the whole RF band)
- Die-cast housing to guarantee a solid mechanical structure.
- Quick and easy installation on a DIN bar.

		KCPN
Fracarro code		282647
Standard		Digital: DVB-T – DVB-C Analogue: PAL B/G/I/L/D/K
Input frequency	MHz	47 – 862
Bandwidth	MHz	7 – 8
Input level	dB μ V	Digital: 45 – 80 Analogue: 55 – 90
Loop-through input gain	dB	1
Input step tuning	KHz	125
Output frequency	MHz	47 – 862
Max. output level	dB μ V	Digital: 85, Analogue: 92
Output level adjustment	dB	0 – 15
TV mixing input	MHz	5 – 862
TV mixing insertion loss	dB	<1
Noise figure	dB	5
Phase noise	dBc/KHz	-85 @ 10
Power supply	VDC	12
Consumption	mA	Max. 500
Connectors	Type	F female
Dimensions (L x W x H)	mm	155 x 40 x 220
Operating temperature	°C	-10 to +55
Compliant		EN50083-2:2008-03

Fracarro Radioindustrie S.p.A.
via Cazzaro, 3
31033 Castelfranco Veneto (TV)
Italy
tel. +39 0423 7361
fax +39 0423 736220
www.fracarro.com
info@fracarro.com

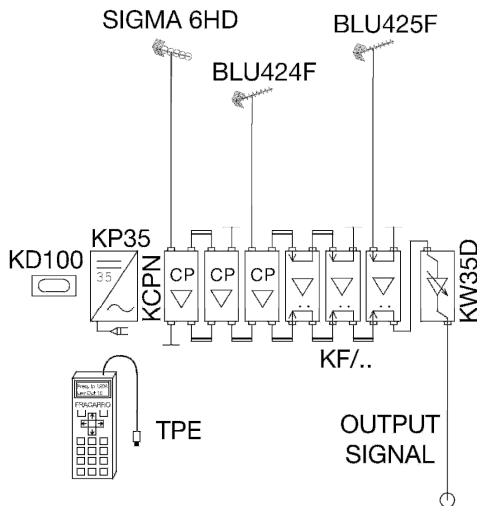
Fracarro (UK) Ltd
Unit A.
Ibex House, Keller Close
Kiln Farm, Milton Keynes.
MK11 3LL
UK
Tel. +44(0)1908 571571
Fax +44(0)1908 571570

Fracarro Ibérica
Poligono Táctica "Ciudad
de los negocios"
C/2A, nº 4 - 46980
Paterna - Valencia
Tel. +34/961340104
Fax. +34/961340691

Fracarro France S.A.S.
14 bis rue du Ratriait
92158 Suresnes Cedex
France
Tel. +33 1 47283400
Fax +33 1 47283421

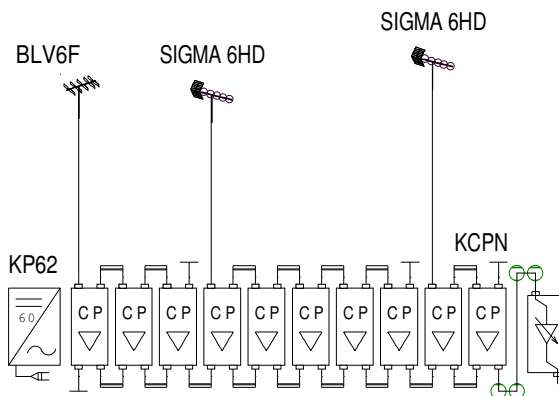
Fracarro Tecnologia e
Antenas de Televisao Lda
Rua Alexandre Herculano, nº1-1ºB
Edifício Central Park
2795-242 Linda-a-Velha
Portugal
Tel.: +351214156800
Fax: +351214156809

Installation examples



It is possible to use a KCPN with K series filters to convert different programs on the same frequency coming from different aerials.

It can be used to maintain quality and level of a lower signal with respect to a 15dB higher adjacent channel.



KCPN is perfect for DTT signals, in particular when a very high selectivity and agile filter is required.

KCPN can shift digital and analogue channels to lower frequencies in order to minimize the cable attenuation and to reach longer distances with only one launch amplifier.

Fracarro Radioindustrie S.p.A.
via Cazzaro, 3
31033 Castelfranco Veneto (TV)
Italy
tel. +39 0423 7361
fax +39 0423 736220
www.fracarro.com
info@fracarro.com

Fracarro (UK) Ltd
Unit A.
Ibex House, Keller Close
Kiln Farm, Milton Keynes.
MK11 3LL
UK
Tel. +44(0)1908 571571
Fax +44(0)1908 571570

Fracarro Ibérica
Polígono Táctica "Ciudad
de los negocios"
C/2A, nº 4 - 46980
Paterna - Valencia
Tel. +34/961340104
Fax. +34/961340691

Fracarro France S.A.S.
14 bis rue du Ratrait
92158 Suresnes Cedex
France
Tel. +33 1 47283400
Fax +33 1 47283421

Fracarro Tecnologia e
Antenas de Televisao Lda
Rua Alexandre Herculano, nº1-1ºB
Edifício Central Park
2795-242 Linda-a-Velha
Portugal
Tel.: +351214156800
Fax: +351214156809



Fracarro code	Item	Packaging	Quantity	Dimensions	Net weight	Total weight
			Pcs	mm	Kg	Kg
282647	KCPN	Single	1	40x220x155	1.17	1.18

Fracarro Radioindustrie S.p.A.
via Cazzaro, 3
31033 Castelfranco Veneto (TV)
Italy
tel. +39 0423 7361
fax +39 0423 736220
www.fracarro.com
info@fracarro.com

Fracarro (UK) Ltd
Unit A.
Ibex House, Keller Close
Kiln Farm, Milton Keynes.
MK11 3LL
UK
Tel. +44(0)1908 571571
Fax +44(0)1908 571570

Fracarro Ibérica
Poligono Táctica "Ciudad
de los negocios"
C/2A, nº 4 - 46980
Paterna - Valencia
Tel. +34/961340104
Fax. +34/961340691

Fracarro France S.A.S.
14 bis rue du Ratrait
92158 Suresnes Cedex
France
Tel. +33 1 47283400
Fax +33 1 47283421

Fracarro Tecnologia e
Antenas de Televisao Lda
Rua Alexandre Herculano, nº1-1ºB
Edifício Central Park
2795-242 Linda-a-Velha
Portugal
Tel.: +351214156800
Fax: +351214156809