

WISI LX 12 S xx0x

1,2 GHz dual 1310 nm Transmitter

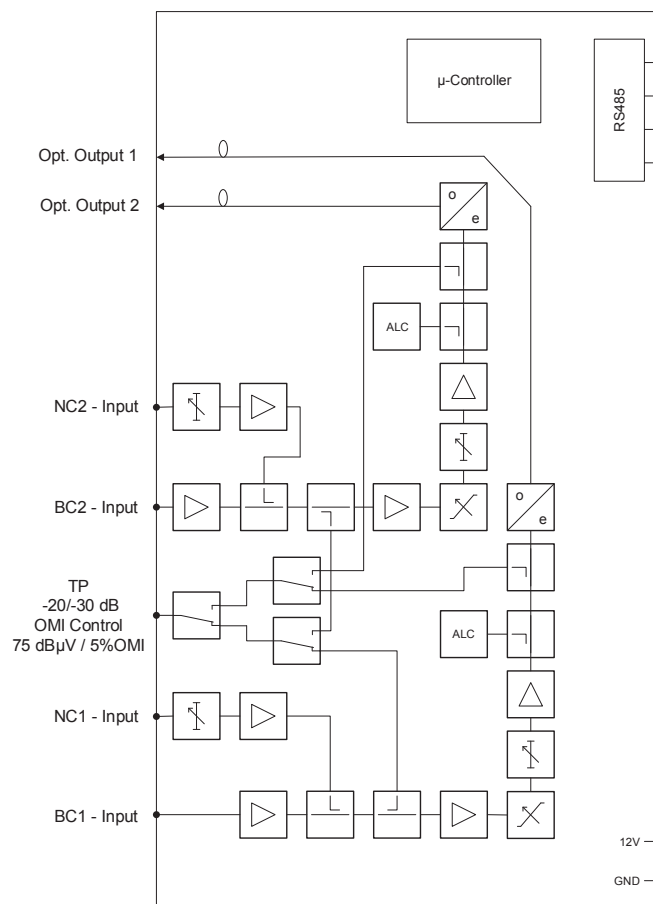


At a glance:

- Dual optical HFC transmitter for use in WISI Chassis LX 50
- Adjustable OMI, Slope, NC-Input
- Automatic level control (ALC)
- Dual Fullband transmitter 15...1218 MHz, Docsis 3.1 Ready
- High RF Input Isolation
- OMI Control Testport
- SBS suppression

Description

The LX 12 is part of the Optopus product portfolio. LX 12 is a dual direct modulated fullband transmitter with 2x 1310 nm for use in HFC networks. The Optopus platform is a highly flexible and high density platform for all kinds of analog optical networks. The system is used in any network such as HFC, RF over Glass or RF Overlay in FTTX applications.



WISI Communications GmbH & Co. KG

Wilhelm-Sihn-Str. 5-7
75223 Niefern-Oeschelbronn, Germany

Phone: +49 7233 66-280, Fax: -350
E-Mail: export@wisi.de

Technical Modifications reserved. WISI cannot be held liable for any printing error. 25. Oktober 2017, 2:39 nachm.

Technical data

Downstream	
Wavelength transmitters	1310 nm (± 10 nm) or, Ch.1 1330,46 nm ($\pm 0,05$ nm), Ch.2 1329,22 nm ($\pm 0,05$ nm), Ch.3 1327,25 nm ($\pm 0,05$ nm), Ch.4 1325,78 nm ($\pm 0,05$ nm)
Optical output power	uncooled DFB Laser: 3 dBm (2 mW), 6 dBm (4 mW); cooled DFB Laser: 8 dBm (6,3 mW), 10 dBm (10 mW), 13 dBm (20 mW)
Relative intensity noise (RIN)	< -155 dB $\sqrt{\text{Hz}}$
Optical return loss	>40 dB
Frequency range	15...1218 MHz
Input level broadcast	78 dB μ V (PAL-Level)
Input level Narrowcast	82 dB μ V (QAM-Level, 6 dB back off)
Gain control range	± 5 dB
Slope Control Range	± 2 dB
NC Offset	± 2 dB
Decoupling NC/BC input	≥ 50 dB
Channel Isolation	≥ 60 dB
Test point	-20/-30 dB (BC-/NC-Input & 75 dB μ V @ 5% OMI)
Electrical return loss	≥ 20 dB
Ripple	$\leq \pm 0,75$ dB
Signal performance	
CSO	≥ 60 dBc (42 channels CENELEC)
CTB	≥ 65 dBc (42 channels CENELEC)
MER	≥ 44 dBc (121 QAM 256 Ch.)
BER	$\leq 10E-9$ (121 QAM 256 Ch.)
Connectors	
Optical connector	SC/APC
F-socket	1 pcs. (75 Ohm)
General data	
Power consumption	max. ≤ 16 W
Environmental parameters	-5...+45 °C (EN300 019-1-3 Class 3.2)
Dimensions (width x height x depth)	30 x 133 x 320 mm
Management functionality	
Laser	On/Off
ALC	On/Off
Attenuator	0...10 dB
Slope	-2...+2 dB
Narrowcast-Offset	-2...+2 dB
SBS suppression	On/Off
Measurement	
Optical output power	dBm
Laser Current	mA
Laser Temperature	°C
TEC Current	mA

Technical data

RF-Level	dB
Alarm	Opt Output Power, RF-Level, Laser Current

LX 12 X XXXX

Wavelength TX1 & TX2(*):

- 0 – 1310 nm +/- 10 nm
- 1 – 1330,50 nm
- 2 – 1329,20 nm
- 3 – 1327,25 nm
- 4 – 1325,80 nm

* combinations available

Output power:

- 03 – 3 dBm (uncooled DFB)
- 06 – 6 dBm (uncooled DFB)
- 08 – 8 dBm (cooled DFB)
- 10 – 10 dBm (cooled DFB)
- 13 – 13 dBm (cooled DFB)

Connector type:

S – SC/APC