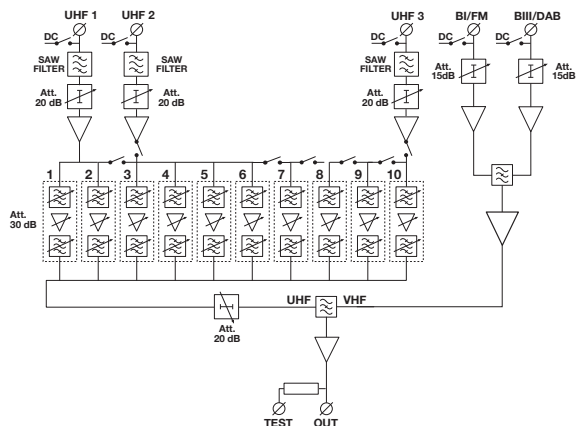


AT40SAW

- ▶ UHF inputs Lte protected by SAW FILTERS 470... 790 MHz
- ▶ AUTOLEVELING function for self-aligning UHF clusters
- ▶ USER PASSCODE
- ▶ Pc Windows and Smartphone/Tablet Android programmable
- ▶ 3 UHF inputs for 9 selectable configurations
- ▶ Die casting chassis



AT40SAW				
NUMBER OF UHF INPUTS		3x (470... 790 MHz)		
NUMBER OF VHF INPUTS		1 BI/FM (40... 108 MHz)	1 BIII/DAB (170... 320 MHz)	
NUMBER OF OUTPUTS		1		
NUMBER OF PROGRAMMABLE CLUSTERS		10		
NUMBER OF CHANNELS PER CLUSTER		1... 6 (8... 48 MHz) 60 channels		
INPUT CONFIGURATIONS		UHF1	UHF2	UHF3
*IM3 DIN 45004B - 60 dBc (analogic channels)		10	0	0
**IM3 DIN 45004B - 35 dBc (digital channels)		9	0	1
		8	0	2
		7	0	3
		6	0	4
		2	6	2
		2	5	3
		2	4	4
		2	7	1
INPUT ATTENUATORS VHF-UHF	dB	VHF 0...-15 UHF 0... -20		
CLUSTER GAIN ADJUSTER	dB	0... -30		
MAX UHF INPUT LEVEL	dBμV	100* / 105**		
UHF GAIN	dB	35		
VHF GAIN	dB	40		
MAX OUTPUT LEVEL VHF-UHF	dBμV	119*/124**		
NOISE FIGURE	dB	VHF < 7,0 UHF < 6,0		
CLUSTERS SELECTIVITY +/- 10 MHZ	dB	12		
RETURN LOSS IN/OUT	dB	>12		
TEST OUTPUT		1 (-30 dB)		
REMOTE POWER SUPPLY VHF-UHF INPUTS		12V / 100 mA 24 V / 100 mA		
POWER SUPPLY		230 VAC +/-10% 12W (External Adapter DC 7,5 Volt 2A)		
DIMENSIONS	mm	247 x 200 x 40		