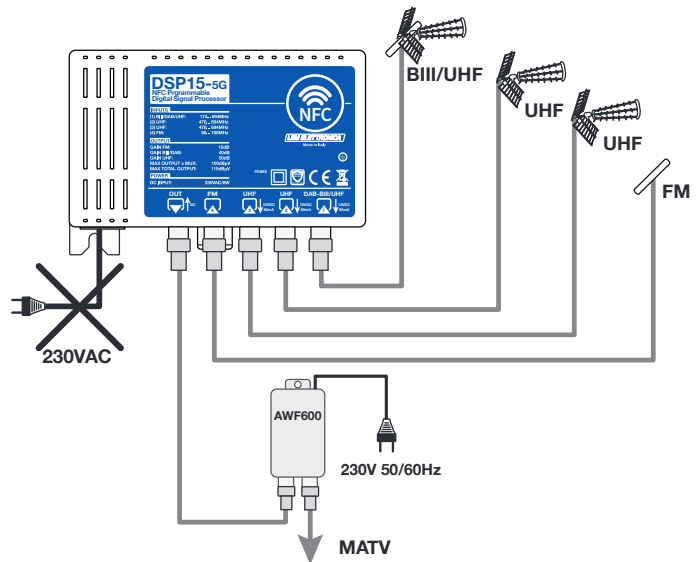
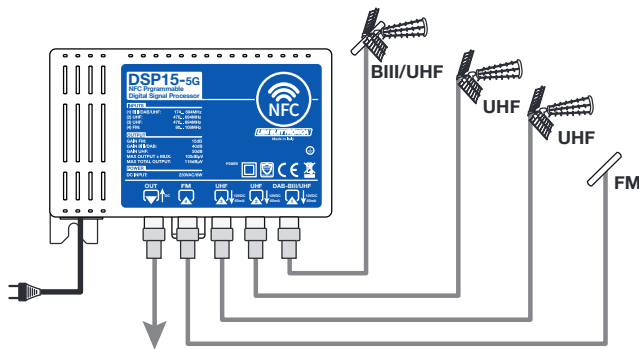
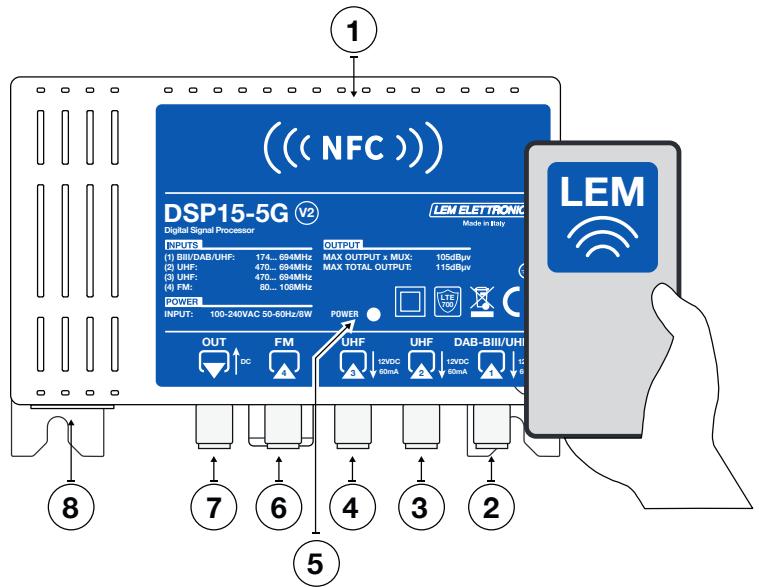


Connections Schematic

- 1 NFC antenna
- 2 BIII / DAB / UHF(E21... E48) aerial input
- 3 UHF (E21... E48) aerial input
- 4 UHF (E21... E48) aerial input
- 5 Multi-function LED
- 6 Antenna input (4) FM (88... 108MHz)
- 7 MATV output / remote power 12...15VDC
- 8 230VAC 50/60Hz Mains input



NFC Programming with smartphone

