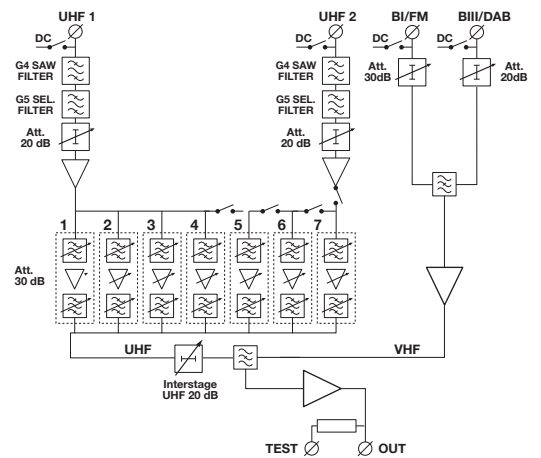


PROGRAMMABLE AMPLIFIER

AT47SAW

- ▶ Lte 4G (21... 60) SAW Filters protected
- ▶ Selectable Additional Lte 5G (21... 48) Filters
- ▶ Low noise < 6dB
- ▶ AUTOLEVELING function for self-aligning UHF clusters
- ▶ USER PASSCODE
- ▶ Programmable through built-in unit keys
- ▶ Pc Windows and Android programmable
- ▶ 2 UHF inputs for 4 selectable configurations
- ▶ Die casting chassis

NEW



		AT47SAW	
NUMBER OF UHF INPUTS		2x (470... 694/790 MHz)	
NUMBER OF VHF INPUTS		1 BI/FM (40... 108 MHz)	1 BIII/DAB (170... 320 MHz)
NUMBER OF OUTPUTS		1	
NUMBER OF PROGRAMMABLE CLUSTERS		7	
NUMBER OF CHANNELS PER CLUSTER		1... 7 (8... 56 MHz)	
INPUT CONFIGURATIONS		UHF1	UHF2
		7	0
		6	1
		5	2
		4	3
INPUT ATTENUATORS (1 dB STEP ADJUST.)	dB	FM 0...-30 / DAB/BIII 0...-20 / UHF 0...-20	
CLUSTER GAIN ADJUSTER (1 dB STEP)	dB	0... -30	
MAX UHF INPUT LEVEL	dBμV	100*	
VHF GAIN	dB	35	
UHF GAIN	dB	40	
INTERSTAGE ATT. (1 dB STEP ADJUST.)	dB	0...-20	
MAX OUTPUT LEVEL	dBμV	119*	
NOISE FIGURE	dB	VHF < 6,0	UHF < 6,0
CLUSTER SELECTIVITY +/- 10 MHZ	dB	12	
RETURN LOSS IN/OUT	dB	>12	
TEST OUTPUT		1 (-30 dB)	
USB CONNECTOR		USB 1.0 / 2.0 Type B	
REMOTE POWER SUPPLY VHF-UHF INPUTS		12V / 100 mA	24 V / 100 mA
POWER SUPPLY		230 VAC +/-20% 10W Max (External power supplier DC 7,5 Volt 2,5A)	
DIMENSIONS	mm	192 x 217 x 37	

*IM3 DIN 45004B - 60 dBc